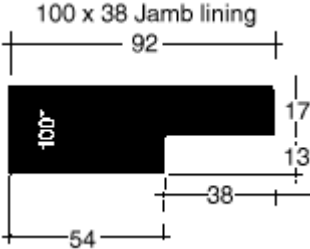
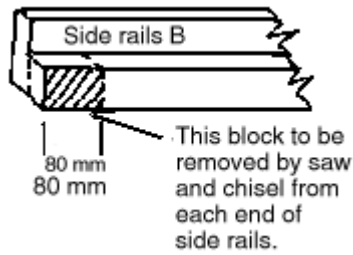


Barbecue Trolley

Many of those odd bits and pieces required at the outdoor barbecue can be delivered conveniently on this barbecue (or indoor tea) trolley. Basic design consists of two equal sized flat trays supported on corner posts.

However we strongly advise that you decide first on the sort of wheel/axle system since width of trays should be made to fit closely between the wheels. With some changes in details the width of this barbecue trolley can be adjusted to suit your purchased wheel, axle, bracket units. As an alternative you could use a system of bolts and lock nuts, etc to fasten wheels to base tray or corner post as shown later.

TOOLS YOU WILL NEED	MATERIALS YOU WILL NEED	
<ul style="list-style-type: none"> • Saws • Drill and bit, countersunk bit • Measuring tape/rule • Carpenter's square and pencil • Adjustable spanner • Wood chisel • Hammer • Screwdriver • Chisel 	<p>Timber</p> <p>Note that this trolley is designed on the assumption that it will be generally protected from exposure to rain and dew. If this limit on exposure is accepted then standard door jamb lining can be used (e.g. from Pacific Maple, meranti, oregon, radiata pine, Tasmanian oak, etc.) and standard or interior quality particle board or plywood would be acceptable for bottom of trays. Corner of posts could be timber selected for appearance rather than for performance under weather exposed conditions.</p>  <ul style="list-style-type: none"> • 50 mm x 50 mm DAR 4 pieces 750 mm * (4 posts) 	<p>Hardware</p> <ul style="list-style-type: none"> • 8/50 x 6 mm diameter round head wood screws (end rail to post). • 40 mm x 6 mm diameter round head wood screws (side rail to post, handle) • 100/50 x 2.8 mm bullet head nails. (bottom planks) • PVA wood adhesive • 2/150 mm



	<ul style="list-style-type: none"> • 100 x 38 mm door jamb lining (see diagram) 4 pieces 900 mm * (side rails) 4 pieces 600 mm * (end rails) • 100 x 25 mm DAR softwood 16 pieces as bottom planks or use 19 mm particleboard or 12 mm plywood cut to fit frames. • 75 x 25 mm DAR softwood 1 piece 900 mm * (rail bracket) • 19 mm or 25 mm diameter dowel or 1 piece 700 mm for handle/rail <p>* Discuss these length requirements with your supplier, who will supply standard lengths of timber from which these pieces can be cut.</p>	<p>diameter wheels/axles bracket units as available.</p>
--	---	--

Step by Step

Cut corner posts

From the pieces of 50 x 50 mm DAR timber cut four posts (P) each 750 mm long.

Cut end rails

From the pieces of door jamb cut four end rails (A) each of an exact length to suit the axle/wheel system.

Example: For an overall width of tray of 500 mm cut four end rails each 465 mm long



Note: This 740 mm length must be the same for each side rail.

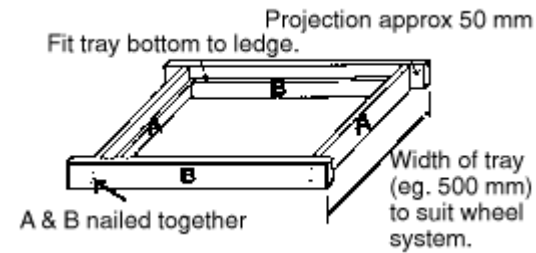
Mark out side rails

At each end of the four side rail pieces mark out as shown 80 mm from each end. Mark edges as guide for removal of excess material.

Saw and chisel out rail section

Saw and cut on marked line 80 mm from each end and chisel out excess materials to give four rails as indicated in diagram. Check the dimension shown as 740 mm in diagram. This measurement should be the same for each cut and trimmed rail.

Assemble tray frame



Fit tray rails together and fix in position using nails. Check squareness of trays and confirm that the two trays are the same size. Trim rails and adjust where necessary.

Cut bottom planks

Measure internal width of tray as shown in previous diagram. Cut 16 bottom planks to this length or cut particleboard or plywood to fit in as tray bottom.

Square up trays

Fit a bottom into each tray and fix in place using glue and nails. Before final fixing square up tray and check that the two trays are of the same size.

Attach legs

Fix trays to the four legs as shown in diagram below using glue and screws. Note that the final length of each pair of legs will depend on wheel/axle bracket system used. However, in this initial assembly, the four posts are of equal length such that the overall height remains at 750 mm. The distance between trays maybe varied depending on the wheel and axle system chosen.

Fix wheel system

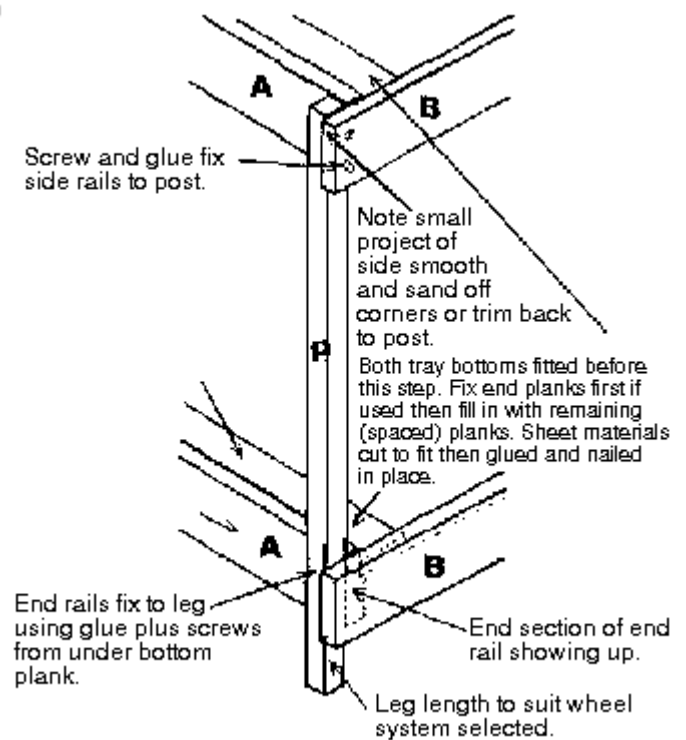
Note: The assembly could stand on four legs until the wheels are attached to the front of the units, or the front 'legs' are removed first as appropriate for selected wheel assembly. Fit selected wheel/axle system. Cut off excess front legs as required.

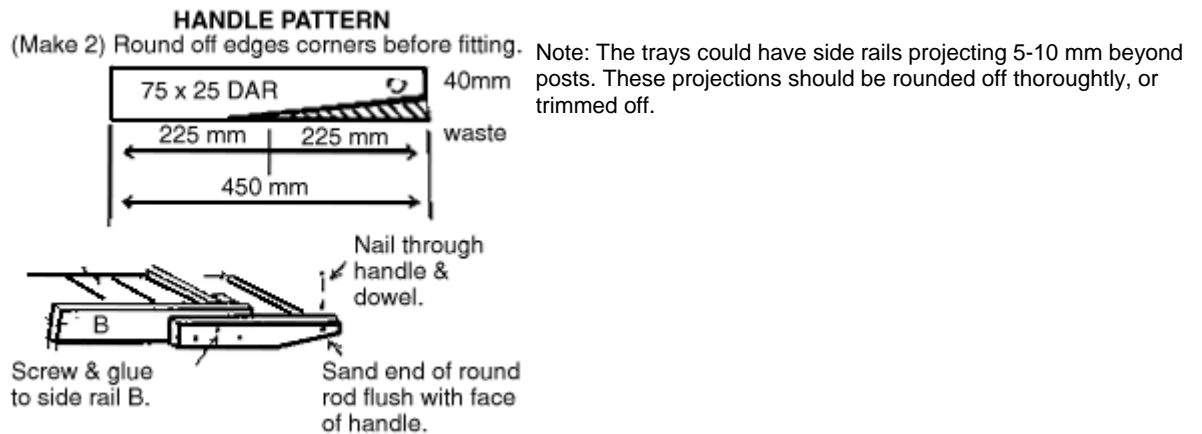
Provide drainage holes

If sheet products (particleboard or plywood) are used in trays, provide drainage holes (9mm 3/8" diameter in each corner. Loose fitted plank bottom if used should give adequate drainage.

Smooth and rounding off

Using sanding disc, sander or hand sanding or planing, smooth and round off all accessible sharp corners and edges of the trays and posts. Punch all nails if desired and fill nail holes with putty/filler the same colour as timber.





Cut, trim and fix handle

< From the piece of 75 x 25 mm DAR x 900 mm cut two handles each 450 mm long. Trim or shape as in diagram, smooth all corners and edges, then screw - and glue-fix to rear end of upper tray as in diagram.

Note: To make sure that handle fits flat to the rail you may need to chisel out small pieces of the handle where it comes into contact with the heads of screws into posts or use countersunk screws.

Cut to length and insert broom handle/dowel. Use glue in hole and drive in one 30 mm long nail through top edge of shaped timber piece into handle/dowel.

Apply finishes

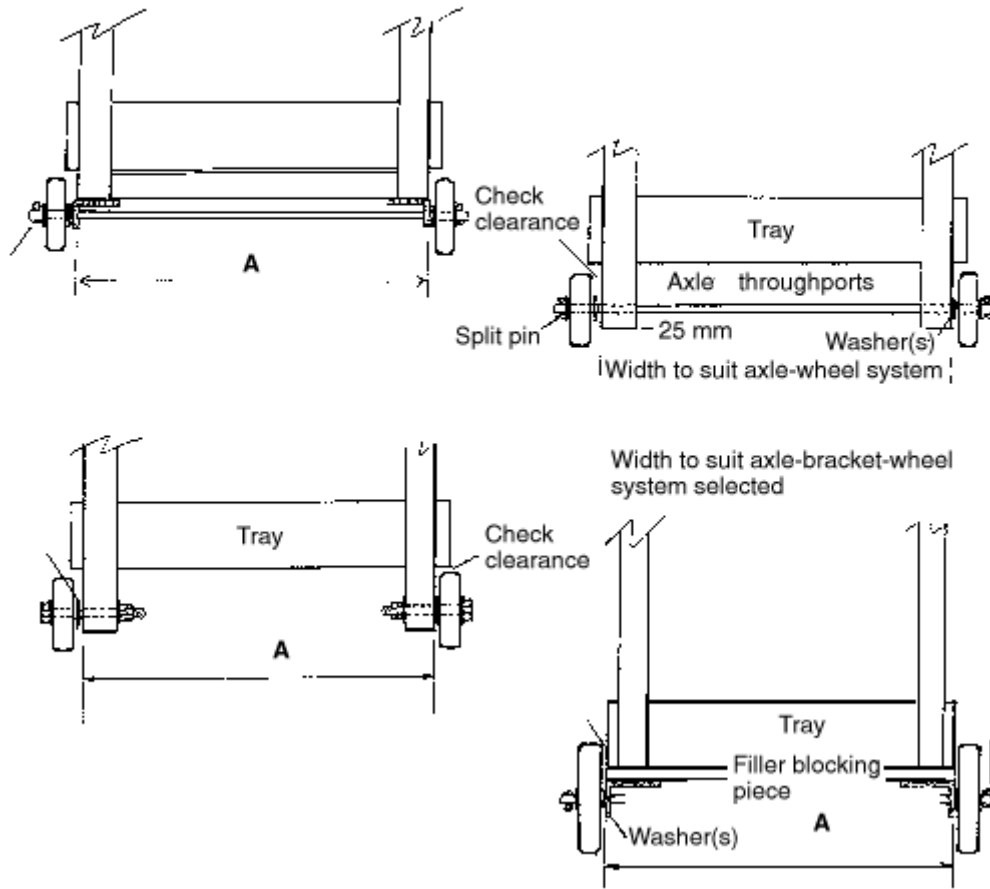
Clear finish with three coats of satin clear polyurethane finish, or selected stains, or garden furniture finish or conventional paint finish. It is strongly recommended that the trolley receive a thorough coating of one of these finishes and that this coating be maintained adequately.

For weather exposed trolleys

If the trolley is to be exposed to weather for long periods, then be selective about materials. For timber components for example select 'durable' or moderately durable timbers such as western red cedar, jarrah, black butt etc. or preservative treated timber, OR pay particular attention to applying exterior finishes (and then maintenance) to low durability timbers. Fastenings (nails, bolts, etc.) should be non-corroding such as hot dipped or electroplated galvanised coatings.

Alternative wheel/axle systems

Dimension 'A' adjusted to suit your system
Check wheel clearance from tray side



Disclaimer: While the Timber and Building Materials Association (NSW) Limited (TABMA) and its members believe this publication is an invaluable guide to this project, the Association cannot guarantee that every statement is without flaw. Therefore, the Association and its members hereby disclaim all liability for error or omissions of any kind, whether they be negligent of otherwise, or for any loss, damage or other consequence which may arise from any person relying on information stated in this publication.